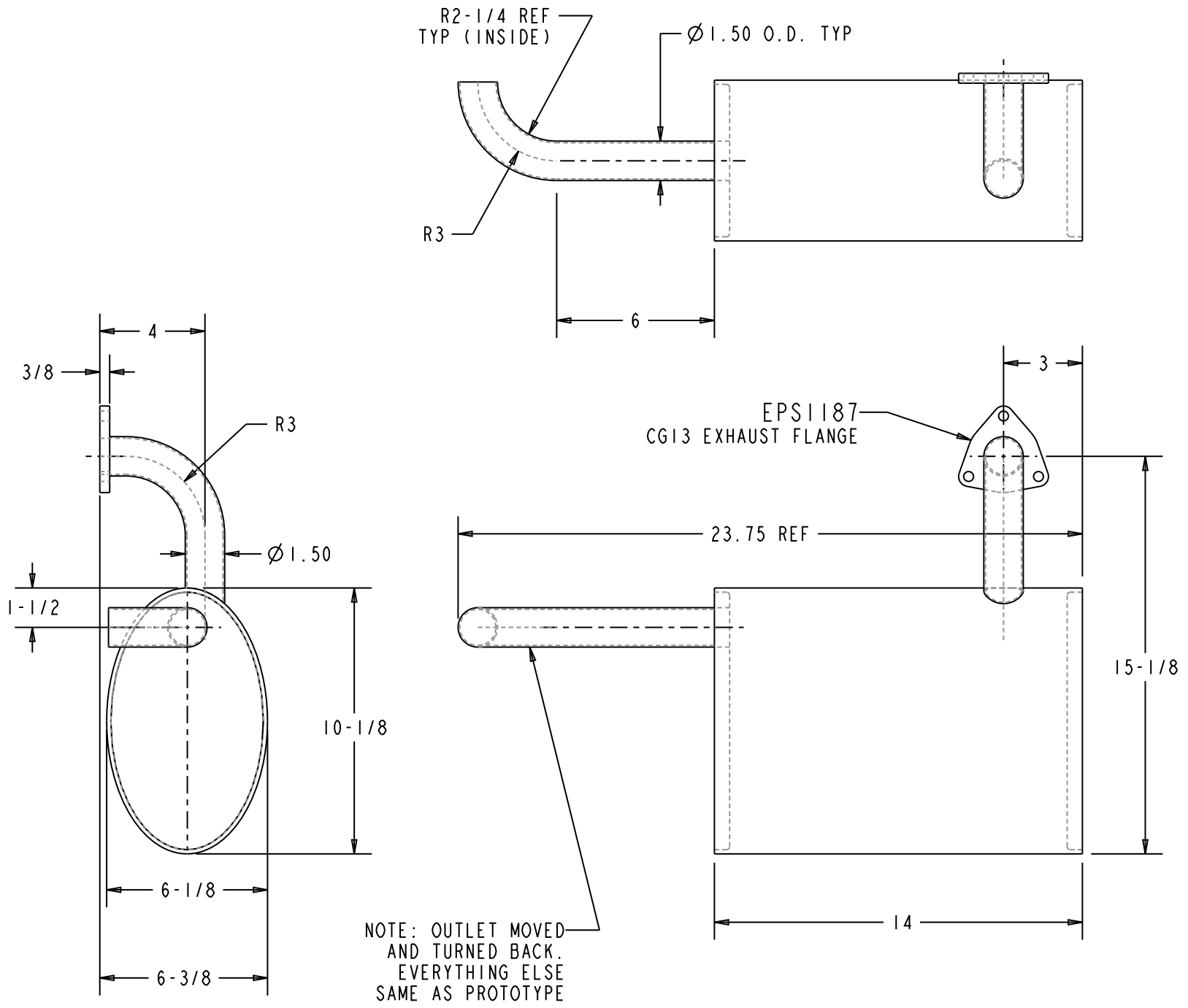


REV	DATE	DESCRIPTION OF CHANGE	BY:
A	07-Jul-99	RELEASED FOR PRODUCTION	PSL



NOTE: OUTLET MOVED AND TURNED BACK. EVERYTHING ELSE SAME AS PROTOTYPE

UNSPECIFIED TOLERANCES  
 BEND TOLS...030  
 ANGULAR...1/2  
 FRACTION...06  
 .XX  
 .XXX  
 .005

SHEET NUMBER 1 of 1  
 DATE 07-Jul-99  
 ADDITIVE FINISH NELSON STANDARD

CAD BY PSL  
 MATERIAL REF NELSON 28399N

348 Bryant Blvd, Rock Hill, SC 29732  
 Phone: 800-374-7522  
 REVISION DESCRIPTION CG13/9X MUFFLER  
 A

ENGINE POWER SOURCE  
 EPS1443

SCALE: 0.188

Pro/E

This Document and all information contained in this document are confidential and proprietary to EPS. Unauthorized possession or use thereof is prohibited. This document, or any part hereof, or any information contained herein, may not be duplicated, reproduced, or disclosed to any person for any purpose except as specifically authorized in writing by EPS. By accepting this document, recipient agrees to comply with the foregoing and to return this document to EPS immediately upon request. Unpublished-all rights reserved under copyright laws.